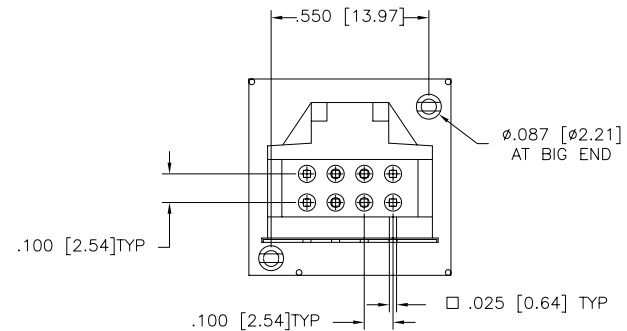
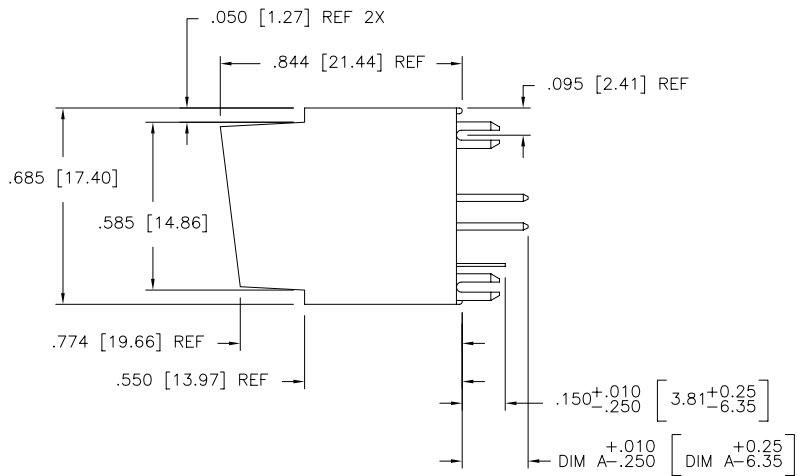
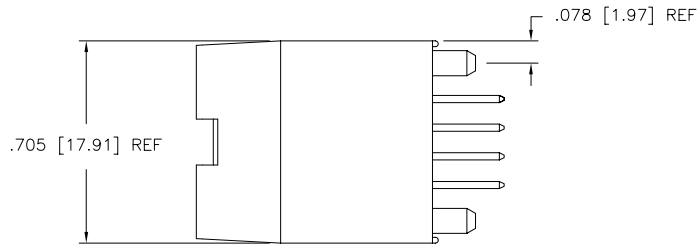


PRODUCT NUMBER
SEE TABLE



mat'l. code				surface ISO 1302 ✓		tolerance ISO 406 ISO 1101		projection INCH/MM		product family LATCH-N-LOK			
ltr ecn no dr date				tolerances unless otherwise specified						title 180° 2X4 LNL HEADER ASSEMBLY			
C	-	AR	11/5/00	angles	linear	.XX±.01/.3	INCH/MM		dwg no 68290				
D	V01703	TFG	7/24/00			.XXX±.005/.13	scale 1:1		sheet 1 of 2		size A3		
E	V10425	TFG	2/9/01	0°±2'		.xxx±.0020/.051							
F	M05-0033	ERE	2/25/05	dr	S. ROYER	8/9/90							
G	M05-0052	MHT	3/16/05	engr	D. HORCHLER	8/9/90							
H	M06-0365	AGS	9/20/06	chr	D. HORCHLER	8/9/90							
J	M07-0116	AGS	2/19/07	appd	D. HORCHLER	8/9/90							
sheet index	revision	J	J										
	sheet	1	2										
type		Product Customer Drawing											



Copyright FCI

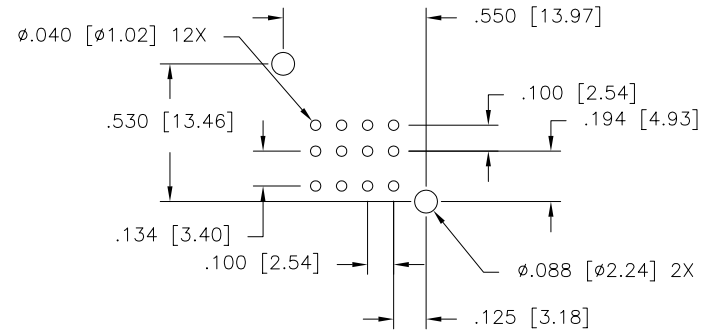
68290-XXXLF

LEAD FREE OPTION (6) (8)

	COLOR (4)	
1	70343-LT-GRAY	OBS
2	80166-OFF-WHITE	
3	70634-DK-GRAY	OBS
4	701-BLACK	
5	70511-SLATE-GRAY	OBS
7	70455-SILVER-GRAY	
8	80189-PEARL-WHITE	OBS
9	70419-PEBBLE-GRAY	

	PLATING (9)
0	30u" GXT
3	30u" AU OVER 50u" NI
5	50u" AU OVER 50u" NI

PIN LENGTH	
	DIM L
0	.130/3.30
1	.230/5.83



NOTES:

- HEADER SHROUD
MAT'L: POLYCARBONATE.
94 V-0 RATED.
- GROUND CONTACT
MAT'L: COPPER ALLOY
PLATING: 100-160u" /2.54-4.06u TIN.
- SIGNAL CONTACT
MAT'L: COPPER ALLOY
PLATING: SEE TABLE
- (4) NUMBERS SHOWN ARE FOR G.E. LEXAN AND ARE FOR REFERENCE ONLY.
- THIS ASSEMBLY U.L. APPROVED PER FILE E66906 VOL. 1, SEC. 84 AND CSA APPROVED PER MASTER FILE LR 46923.
- (6) ADD LF SUFFIX AT THE END OF PART NUMBER FOR LEAD FREE OPTION.
- THE HOUSING WILL WITHSTAND EXPOSURE TO 260°C PEAK TEMPERATURE FOR 15 SECONDS IN A WAVE SOLDER APPLICATION WITH A 1.5mm MINIMUM THICK CIRCUIT BOARD. SEE APPLICATION NOTES/PROCEDURES IF THEY ARE AVAILABLE.
- (8) THIS PRODUCT MEETS EUROPEAN UNION DIRECTIVES AND OTHER COUNTRY REGULATION AS DESCRIBED IN GS-22-008.
- (9) PLATING OPTIONS:
MAY BE EITHER GOLD OR GXT PLATED AT MANUFACTURER'S OPTION.

RECOMMENDED PCB LAYOUT

mat'l. code		surface ISO 1302 ✓		tolerance ISO 406 ISO 1101		projection INCH/MM		product family LATCH-N-LOK	
ltr	ecn no	dr	date	tolerances unless otherwise specified		title		180° 2X4 LNL HEADER ASSEMBLY	
J				angles	linear	.XX±.01/.3	scale 1:1		
				0°±2°		.XXX±.005/.13			
						.XXX±.0020/.051			
		dr	S. ROYER	8/9/90			dwg no		sheet 2 of 2
		enrg	D. HORCHLER	8/9/90			68290		A3
		chr	D. HORCHLER	8/9/90			type		Product Customer Drawing
		appd	D. HORCHLER	8/9/90					
sheet index	revision sheet								



Copyright FCI